

# PASSENGER SERVICE UNITS

**DIMENSIONS:** 6.81" X 2.62" / 173 MM X 67 MM

**WATTS:** 4.5 W MAX

**VOLTAGE:** 28 VDC

**WEIGHT:** 0.20 LB MAX / 0.09 KG MAX

**AIRVALVE:** 13 SCFM MIN AIRFLOW

**PMA APPROVED**

**SPECIFICALLY DESIGNED FOR SMALLER AIRCRAFT AND ROTOR WING APPLICATIONS**

**NVIS WHITE FILTER IS APPLIED TO OUR STANDARD PASSENGER SERVICE UNITS GIVING A CHOICE OF APPLICATIONS**

**READING LIGHT LENS IS NVIS WHITE COMPLIANT PER MIL-STD-3009; OTHERS ARE AVAILABLE**

**SWITCH BUTTONS ARE NVIS GREEN A & B COMPLIANT PER MIL-STD-3009; OTHER BUTTONS ARE AVAILABLE**

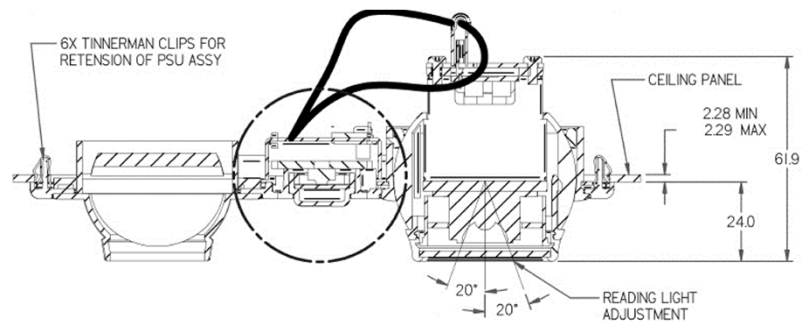
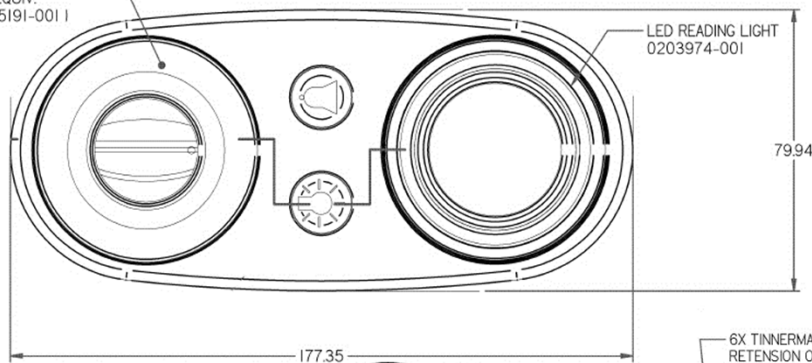
**PILOT/ATTENDANT CALL SWITCH WITH PILOT OVERRIDE SWITCH ADJUSTABLE AIR VALVE**

**PART NUMBER:** 0203841



(AIR VALVE  
WEMAC #4593  
OR EQUIV.  
0805191-001)

LED READING LIGHT  
0203974-001



For More Information, Please Contact:  
aero\_sales@LuminatorUSA.com  
900 Klein Road | Plano, Texas 75074 | +1-800-388-8205  
www.LuminatorAerospace.com

  
**Luminator**  
AEROSPACE